

ADB Technology Co., Ltd.

Wire Wound Ferrite Chip Inductors / CFLC

Feature

- Ferrite core wire wound construction.
- Provide low DC resistance and high current.
- Precision inductance tolerance is available.
- Small footprint as well as profile.
- All support Lead-Free Parts.

Application

- Personal computers, Hard disk drives.
- ADSL modem and Cable modem.
- Digital camera or portable product.
- Measuring instruments.

Product Identification

CFLC
1

2012
2

1R0
3

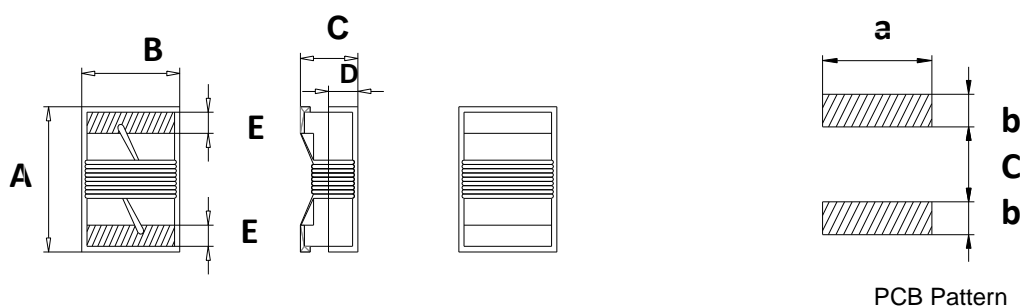
K
4

- Series name.
- Dimension.
- Inductance.

- Tolerance.
(J=±5%, K=±10%)



Configurations & Dimensions



Series Name	A	B	C	D	E	a	b	c
CFLC 2012	2.40(MAX)	1.65(MAX)	1.45(MAX)	0.65(REF)	0.44(REF)	1.78(REF)	1.02(REF)	0.76(REF)
CFLC 2520	2.90(MAX)	2.54(MAX)	2.03(MAX)	1.30(REF)	0.50(REF)	2.54(REF)	1.02(REF)	1.27(REF)

Unit: mm

ADB Technology Co., Ltd.

Wire Wound Ferrite Chip Inductors / CFLC Series

Electrical Characteristics

<i>CFLC 2012 Series</i>					
Part Number	Inductance (μ H)	Q/MHz Min	SRF Min(MHz)	DC Resistance Max. ($m\Omega$)	Idc Max. (mA)
CFLC 2012-R18 __	0.18	30/25	1400	300	1400
CFLC 2012-R22 __	0.22	30/25	830	320	1350
CFLC 2012-R27 __	0.27	30/25	800	380	1300
CFLC 2012-R33 __	0.33	30/25	800	420	1200
CFLC 2012-R39 __	0.39	30/25	700	460	1160
CFLC 2012-R47 __	0.47	30/25	690	500	1100
CFLC 2012-R56 __	0.56	30/25	640	530	1040
CFLC 2012-R68 __	0.68	30/25	510	680	900
CFLC 2012-R82 __	0.82	30/25	500	700	900
CFLC 2012-1R0 __	1.00	25/7.9	470	720	840
CFLC 2012-1R2 __	1.20	25/7.9	420	880	800
CFLC 2012-1R5 __	1.50	25/7.9	400	1000	720
CFLC 2012-1R8 __	1.80	25/7.9	250	1000	660
CFLC 2012-2R2 __	2.20	25/7.9	200	1050	600
CFLC 2012-2R7 __	2.70	25/7.9	130	1180	500
CFLC 2012-3R3 __	3.30	25/7.9	160	1260	480
CFLC 2012-3R9 __	3.90	25/7.9	130	1750	440
CFLC 2012-4R7 __	4.70	25/7.9	120	1870	390
CFLC 2012-5R6 __	5.60	25/7.9	90	2000	340
CFLC 2012-6R8 __	6.80	25/7.9	55	2150	300
CFLC 2012-8R2 __	8.20	25/7.9	40	2370	280
CFLC 2012-100 __	10.00	16/2.5	40	2450	260
CFLC 2012-120 __	12.00	16/2.5	37	2800	220
CFLC 2012-150 __	15.00	16/2.5	30	3800	200
CFLC 2012-180 __	18.00	16/2.5	23	4480	180
CFLC 2012-220 __	22.00	16/2.5	20	6300	160
CFLC 2012-270 __	27.00	16/2.5	19	6850	140
CFLC 2012-330 __	33.00	16/2.5	18	7600	120

ADB Technology Co., Ltd.

Wire Wound Ferrite Chip Inductors / CFLC Series

Electrical Characteristics

<i>CFLC 2520 Series</i>					
Part Number	Inductance (μ H)	Q/MHz Min	SRF Min(MHz)	DC Resistance Max. ($m\Omega$)	Idc Max. (mA)
CFLC 2520-R18 __	0.18	30/25	930	300	960
CFLC 2520-R20 __	0.2	30/25	735	300	960
CFLC 2520-R22 __	0.22	27/25	750	400	880
CFLC 2520-R33 __	0.33	30/25	600	420	900
CFLC 2520-R39 __	0.39	30/25	480	450	920
CFLC 2520-R56 __	0.56	30/25	460	550	900
CFLC 2520-R62 __	0.62	30/25	460	550	900
CFLC 2520-R68 __	0.68	30/25	420	550	880
CFLC 2520-R75 __	0.75	30/25	420	650	880
CFLC 2520-R82 __	0.82	30/25	380	650	840
CFLC 2520-R91 __	0.91	30/25	400	650	840
CFLC 2520-1R2 __	1.2	25/7.9	280	740	840
CFLC 2520-1R5 __	1.5	25/7.9	245	850	780
CFLC 2520-1R8 __	1.8	25/7.9	240	920	780
CFLC 2520-2R2 __	2.2	25/7.9	205	990	760
CFLC 2520-2R7 __	2.7	25/7.9	187	1020	760
CFLC 2520-3R3 __	3.3	25/7.9	165	1370	740
CFLC 2520-3R9 __	3.9	25/7.9	144	1660	700
CFLC 2520-4R7 __	4.7	25/7.9	110	1680	660
CFLC 2520-5R6 __	5.6	25/7.9	88	1750	640
CFLC 2520-6R8 __	6.8	25/7.9	70	1850	640
CFLC 2520-8R2 __	8.2	25/7.9	57	2000	600
CFLC 2520-100 __	10.0	15/2.5	55	2320	600
CFLC 2520-120 __	12.0	15/2.5	52	2990	560
CFLC 2520-150 __	15.0	15/2.5	49	3420	480
CFLC 2520-180 __	18.0	15/2.5	48	4650	420
CFLC 2520-220 __	22.0	15/2.5	25	5120	420
CFLC 2520-270 __	27.0	15/2.5	23	5760	420
CFLC 2520-330 __	33.0	15/2.5	17	6440	400
CFLC 2520-390 __	39.0	15/2.5	15	6850	380
CFLC 2520-470 __	47.0	14/2.5	13	9940	340
CFLC 2520-560 __	56.0	14/2.5	10	10700	280
CFLC 2520-680 __	68.0	14/2.5	8	12800	260
CFLC 2520-820 __	82.0	14/2.5	8	18300	240
CFLC 2520-101 __	100.0	8/1.0	7	19600	200